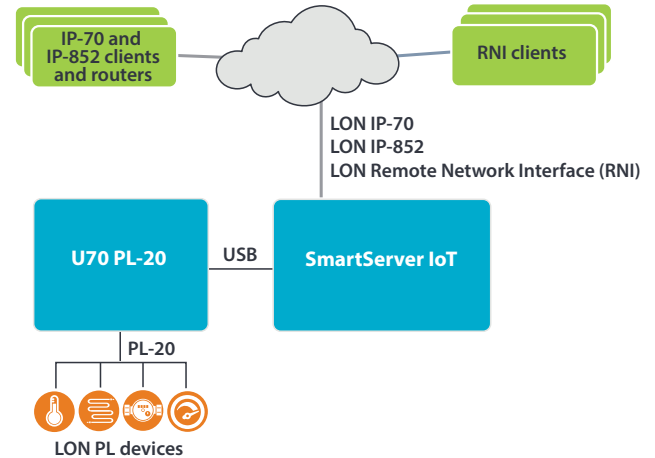


U70 PL-20 USB Network Interface



Product Description

The U70 PL-20 USB Network Interface expansion module enables a SmartServer™ IoT or other controller or computer to communicate with LON PL-20 power line carrier networks via USB. The compact module is housed in a DIN 43880 7TE compliant enclosure.

The U70 is compatible with OpenLDV 5 (or newer) and with hosts implementing the LON/IP stack, which provides source code for LON/IP and LON-compatible protocol stacks.

The U70 facilitates communication to everyday devices like pumps, motors, valves, sensors, actuators and lights for lighting controls, building automation, energy management, transportation systems control and telecommunications equipment management.

Tx and Rx LEDs provide an indication of LON packet transmission and reception. An on-board Connect LED provides a visual indication of device status during discovery and device configuration; status is also communicated to the host via the USB interface.

Features and Benefits

- USB interface for LON PL networks for any edge server, gateway, controller or device, including SmartServer IoT
- Includes integrated 3-phase power line coupler and 24VDC power supply
- Powered by power line mains voltage
- Compatible with IzoT™ Net Server, OpenLNS® Server, LNS® Server and OpenLDV applications
- Works with IzoT Net and LNS compatible applications such as the IzoT Commissioning Tool and LonMaker Integration Tool
- Compatible with SmartServer IoT
- Compact DIN 43880 7TE form factor
- Source code available as download for a Linux-compatible driver

PRODUCT SPECIFICATIONS

Hardware and Electrical Specifications

Processor:	EnOcean PL Smart Transceiver
Built-in Memory:	1 MB flash memory, 64 KB RAM
Host Interface:	USB Micro-B 2.0, compatible with USB 1.1 and high-speed USB systems, peripherals and cables
USB Cable:	Cable with Micro-B USB to Type A USB connectors included
Mains Interface:	1 – 3 phase AC
Input Voltage:	100 – 277VAC +/- 10%, 50–60Hz +/- 5% (AC mains power input, single phase used for power; up to three phases used for communication)
Input Power:	2.5W no-load max (for $V_{in} \leq 120VAC$) 35W max
Output Voltage:	24VDC +/- 5%
Output Current:	350mA max
Indicators:	LON Tx/Rx LEDs, Connect LED, Power LED

Operating Temperature:	-40°C to +70°C
Operating Humidity:	5-95% RH non-condensing @ 50°C
Surge Protection:	EN 61000-4-5:2006, +/- 6KV
Mounting:	DIN 43880 7TE

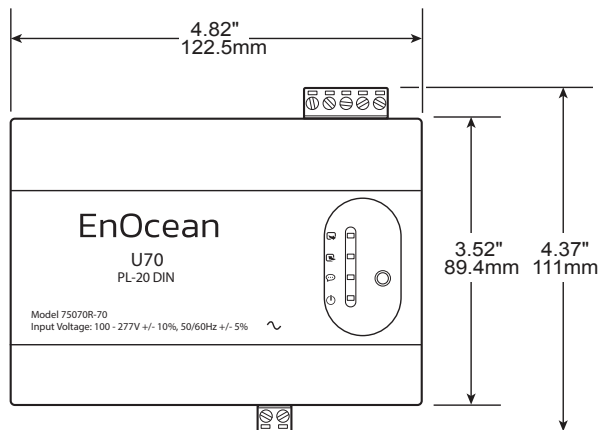
Software Platform

Interface:	LON/IP PL-20 and LON PL-20 with a Layer 2 or Layer 5 interface
Drivers:	Windows: OpenLDV 5 (or newer) Linux: Source code available for porting

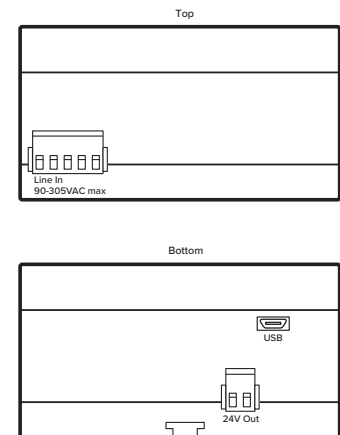
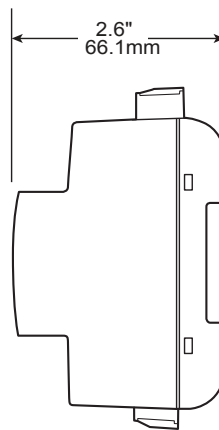
Safety, Compliance, and Warranty

Safety:	UL/IEC/CSA 62368-1
EMC:	FCC/CE/ICES/AS/NZ/VCCI CISPR 32 Class B; EN 55024, CISPR 24
Warranty:	1 year limited warranty

DIMENSIONS, MOUNTING AND CONNECTIONS



The U70 module is designed for DIN-rail mounting



Top view (when mounted): Mains power input
Bottom view (when mounted): USB port, power output

Model #	Product Name	Product Description
75070R-70	U70 PL-20 USB Network Interface	USB interface to LON/IP PL-20 and LON PL-20 power line carrier networks